

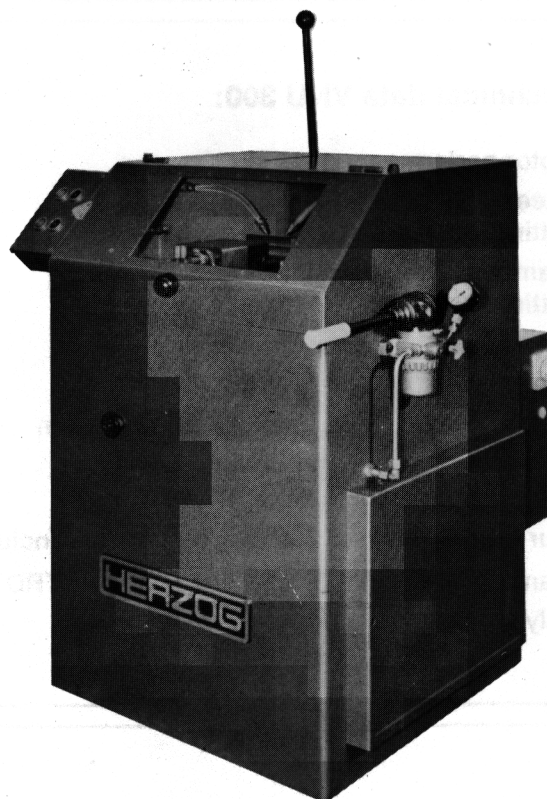
HERZOG

WET CUTTING-OFF GRINDER MODEL VNU

**Hand operated machine
for cutting spectrographic iron and steel samples**

Advantages of the machine

- easy handling
- multiple fixing facilities for various work pieces
- sensitive cutting by hand operated rocker bar
- minimal warming of the cut surface
- short cutting times
- high driving performance
- easy exchange of the cutting-discs
- minimum maintenance required
- specially designed cutting chamber for maximum security and minimum dust generation
- suitable for operation in laboratories



HERZOG MASCHINENFABRIK GMBH & CO.

Auf dem Gehren 1
D-49086 Osnabrück
Telephone (05 41) 3 73 70
Telefax (05 41) 38 71 41
Telex 94784 herzog d

HERZOG AUTOMATION CORP.

16600 Sprague Road
Cleveland Ohio 44130, USA
Telephone 01-216-8919777
Telefax 01-216-8919778

HERZOG JAPAN LTD

5-8, Funato 3-chrome
Itabashi-ku, Tokyo 174, Japan
Telephone 081-3-5994-0273
Telefax 081-3-3967-2224

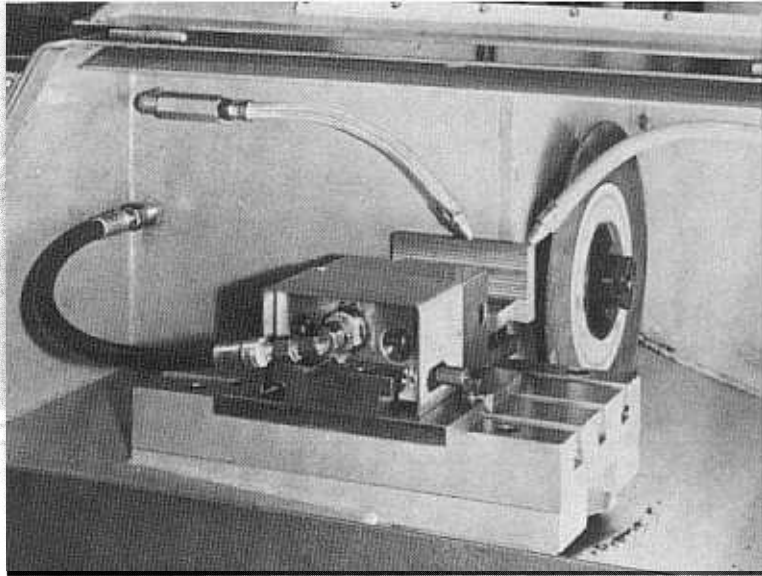
Normal accessories:

- 1 hydraulic clamping device
- 1 coolant device
- 4 special cutting-discs
- 2 wrenches for changing of the cutting-discs

Special accessories:

Special clamping jaws
(e. g. for conical samples etc.)

Attachment for cut-off grinding under water



VNU 300 (inside view)
incl. hydraulic clamping device

Technical data VNU 300:

Motor performance: 11 kW
Speed of the cutting spindle: 5100 rpm
Diameter of cutting-discs: 300 mm
Net weight: appr. 550 kg
Gross weight: appr. 720 kg
Case dimensions: 1250 x 1350 x 1600 mm

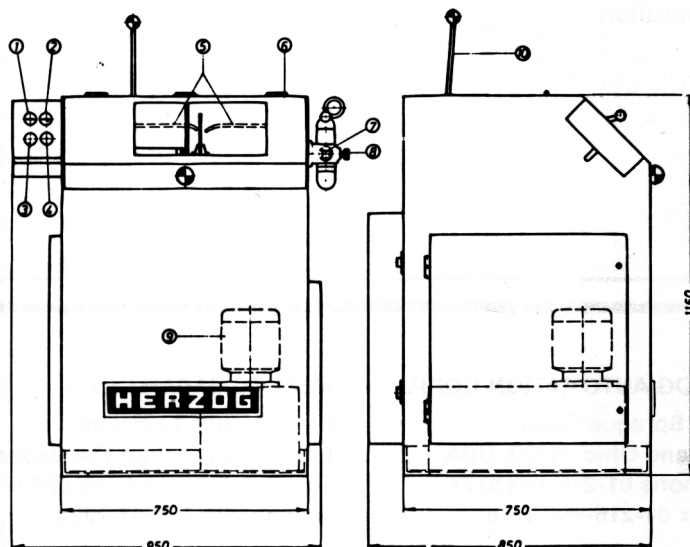
We reserve the right to change specifications.

Our further range of cutting-off machines includes:

manual: model VG, PST, HTRD
fully automatic: VST, VST/2S

Technical Data VNU 400:

Motor performance: 15 kW
Speed of the cutting spindle: 3800 rpm
Diameter of cutting-discs: 400 mm
Net weight: appr. 685 kg
Gross weight: appr. 855 kg
Case dimensions: 1250 x 1350 x 1600 mm



Operating components

VNU 300:

1. Main motor "on"
2. Main motor "off"
3. Coolant pump "on"
4. Coolant pump "off"
5. Coolant nozzles
6. Cover
7. Hand operated pump for clamping device
8. Clamping device "open"
9. Coolant aggregate
10. Lever of rocker bar for cutting-disc